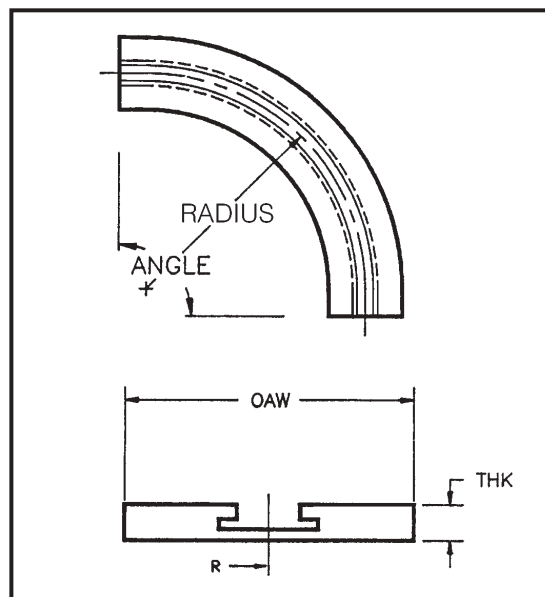


CORNER TRACKS STANDARD FOR TABLETOP® CHAIN (TAB STYLE)

TSE One-Piece Corner Tracks for TableTop® Chain can be supplied in a wide range of sizes to fit most of today's Tab Chain Styles. See our custom options on Page 11 for more choices.



TRACK CHAIN TYPE	TRACK OVERALL WIDTH	THICKNESS	RADIUS	ANGLE	MATERIAL *	CURVE PART #	STRAIGHT TRACK P/N
879,880,881 TAB K3-1/4	3-3/4"	1"	18" 24"	90° 90°	See Below	880TC183.7590 880TC243.7590	880TS3.75
879,880,881 TAB K4-1/2	5"	1"	24"	90°	See Below	880TC245.0090	880TS5.00
881 TAB K7-1/2	8"	1"	24"	90°	See Below	880TC248.0090	880TS8.00
882 TAB K4-1/2	5"	1-1/4"	24"	90°	See Below	882TC245.0090	882TS5.00
882 TAB K7-1/2	8"	1-1/4"	24"	90°	See Below	882TC248.0090	882TS8.00
1701 TAB K3-1/4	3-1/4"	1-1/4"	12" 18" 24"	90° 90° 90°	See Below	1701TC123.2590 1701TC183.2590 1701TC243.2590	1701TS3.25
1873,1874 TAB K3-1/4	3-3/4" 3-3/4"	1-3/8" 1-3/8"	18" 24"	90° 90°	See Below	1873TC183.7590 1873TC243.7590	1873TS3.75
1873,1874 TAB K4-1/2	5"	1-3/8"	18" 24"	90° 90°	See Below	1873TC185.0090 1873TC245.0090	1873TS5.00
1873,1874 TAB K7-1/2	8"	1-3/8"	18" 24"	90° 90°	See Below	1873TC188.0090 1873TC248.0090	1873TS8.00

Materials

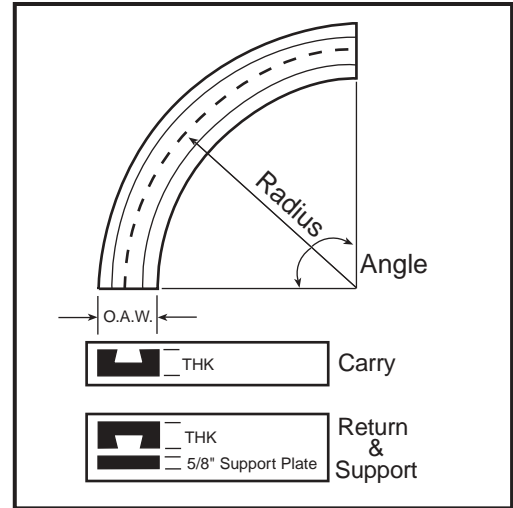
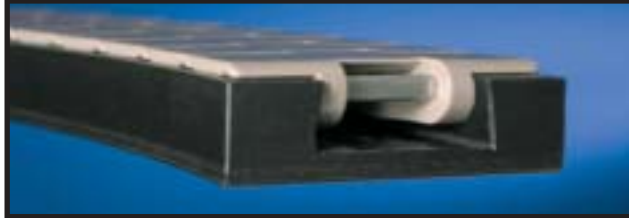
*TSE Corner Tracks come in a variety of materials. Add the suffix below to the Curve Part No. to complete your selection:

- W - Natural UHMW, virgin, basic material selection for curves, FDA compliant #1000
- GL - Gray, lubricated UHMW with enhanced wear properties, FDA compliant #703
- BL - Brown, oil filled UHMW with enhanced wear properties, FDA compliant #845
- SR - Black, static reduced UHMW, FDA compliant #931
- BR - Black, reprocessed UHMW, TSE special formula, R90
- HT - Hi-Temp UHMW, white, FDA compliant, #925
- GF - Green, glass filled UHMW for special applications #675
- MD - Black, moly filled Nylon for maximum speeds and loads

CORNER TRACKS

BEVEL TABLETOP® CHAIN TRACKS

TSE One Piece Corner Tracks are also available to fit most Bevel Style Chain in use today. See our custom options on Page 11 for more choices.



Bevel TableTop® Chain Tracks									
Chain Number	Overall Width	Thickness	Radius	Angle	Material Suffix*	Curve Track Carry P/N	Curve Track Return & Support P/N	Straight Track Carry P/N-(10 FT)	Straight Track Return & Support Plate P/N-(10 FT)
879, 880, 881 K 3 1/4"	3 3/4	1	18"	90°	See Below	880BC183.7590	880BR183.7590	880BS3.75	880BRSS3.75
879, 880, 881 K 3 1/4	3 3/4	1	24"	90°	"	880BC243.7590	880BR243.7590	880BS3.75	880BRSS3.75
879, 880, 881 K 4 1/2	5	1	24"	90°	"	880BC245.0090	880BR245.0090	880BS5.00	880BRSS5.00
881-K 7 1/2	8	1	24	90°	"	881BC248.0090	881BR248.0090	881BS8.00	881BRSS8.00
882-K 4 1/2	5	1 1/4	24	90°	"	882BC245.0090	882BR245.0090	882BS5.00	882BRSS5.00
882-K 7 1/2	8	1 1/4	24	90°	"	882BC248.0090	882BR248.0090	882BS8.00	882BRSS8.00

Materials

*TSE Corner Tracks come in a variety of materials. Add the suffix below to the Curve Part No. to complete your selection:

- W - Natural UHMW, virgin, basic material selection for curves, FDA compliant #1000
- GL - Gray, lubricated UHMW with enhanced wear properties, FDA compliant #703
- BL - Brown, oil filled UHMW with enhanced wear properties, FDA compliant #845
- SR - Black, static reduced UHMW, FDA compliant #931
- BR - Black, reprocessed UHMW, TSE special formula, R90
- HT - Hi-Temp UHMW, white, FDA compliant, #925
- GF - Green, glass filled UHMW for special applications #675
- MD - Black, moly filled Nylon for maximum speeds and loads

CORNER TRACKS FOR TABLETOP® CHAIN (TAB & BEVEL STYLES)

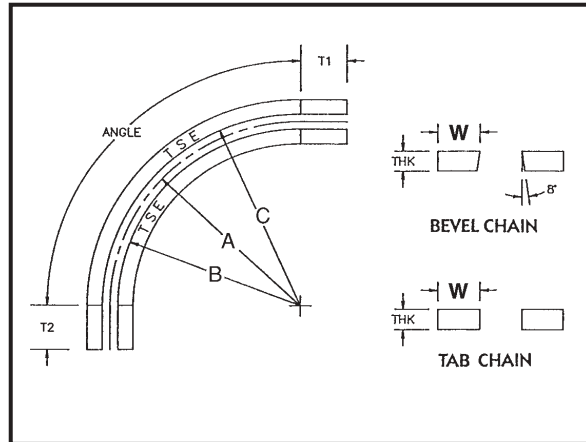
Still the standard with many conveyor manufacturers, two-piece corner tracks have been kept up-to-date through the use of enhanced materials.

We would be happy to discuss your requirements with you. Give us a call or fax this worksheet to us for a quote.

Stock and custom sizes available - call our Customer Service Department
1-800-237-7634 or Fax to: 1-727-572-0487

Information Needed When Ordering Custom Curves

Chain # _____
 Tab or Bevel _____
 Material _____
 Color _____
 THK _____
 CL Radius (A) _____
 Radius (B) _____
 Radius (C) _____
 Width (W) _____
 Angle _____
 Tangents T1 _____
 T2 _____
 Quantity _____



Standard Two-Piece Corner Tracks for TableTop® Chain

Chain Number	Part No.	Angle	Centerline Radius "A"	Radius "B"	Radius "C"	THK.	OAW "W"	Clearance
879 880, 881 BEVEL	TSE-18-1	90°	18"	17 3/16"	18 13/16"	3/8"	1"	1 5/8"
	TSE-24-1	90°	24"	23 3/16"	24 13/16"	3/8"	1"	1 5/8"
	TSE-30-1	90°	30"	29 3/16"	30 13/16"	3/8"	1 1/2"	1 5/8"
882 BEVEL	TSE-24-5	90°	24"	22 55/64"	25 9/64"	5/8"	1 1/2"	29/32"
	TSE-30-5	90°	30"	28 55/64"	31 9/64"	5/8"	1 1/2"	29/32"
879, 880, 881 TAB	TSE-18-2	90°	18"	17 1/8"	18 7/8"	3/8"	1 1/2"	1 3/4"
	TSE-24-2	90°	24"	23 1/8"	24 7/8"	3/8"	1 1/2"	1 3/4"
	TSE-30-2	90°	30"	29 1/8"	30 7/8"	3/8"	1 1/2"	1 3/4"
882 TAB	TSE-24-3	90°	24"	22 55/64"	25 9/64"	5/8"	1 1/2"	2 9/32"
	TSE-30-3	90°	30"	28 55/64"	31 9/64"	5/8"	1 1/2"	2 9/32"
1873, 1874, 3873, 4873, 4874 TAB	TSE-18-4	90°	18"	17 5/16"	18 11/16"	3/4"	1 1/2"	1 3/8"
	TSE-24-4	90°	24"	23 5/16"	24 11/16"	3/4"	1 1/2"	1 3/8"
	TSE-30-4	90°	30"	29 5/16"	30 11/16"	3/4"	1 1/2"	1 3/8"

Materials

*TSE Corner Tracks come in a variety of materials. Add the suffix below to the Curve Part No. to complete your selection:

- W - Natural UHMW, virgin, basic material selection for curves, FDA compliant #1000
- GL - Gray, lubricated UHMW with enhanced wear properties, FDA compliant #703
- BL - Brown, oil filled UHMW with enhanced wear properties, FDA compliant #845
- SR - Black, static reduced UHMW, FDA compliant #931
- BR - Black, reprocessed UHMW, TSE special formula, R90
- HT - Hi-Temp UHMW, white, FDA compliant, #925
- GF - Green, glass filled UHMW for special applications #675
- MD - Black, moly filled Nylon for maximum speeds and loads

CUSTOM TRACK

Stock and Custom Sizes Available
 Call Our Customer Service Department
 1-800-237-7634 or Fax to: 1-727-572-0487

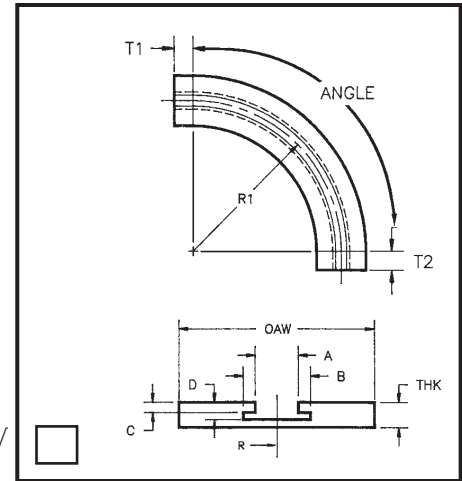
Information Needed When Ordering Custom Curves

Chain # _____
 Tab or Bevel _____
 Support Plate Yes or No _____
 Material _____
 Color _____
 THK _____
 R1 _____ R2 _____
 R3 _____ R4 _____
 O.A.W. _____
 Angle _____
 Tangents T1 _____
 T2 _____
 Quantity _____

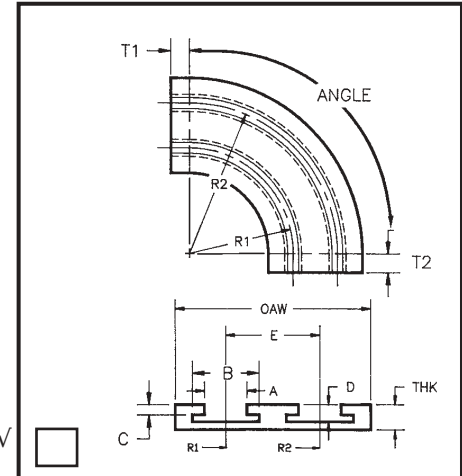
Information Needed When Ordering Straight Track

Chain # _____
 Tab or Bevel _____
 Support Plate Yes or No _____
 Material _____
 Color _____
 THK _____
 O.A.W. _____
 Length (10' standard) _____
 Quantity _____

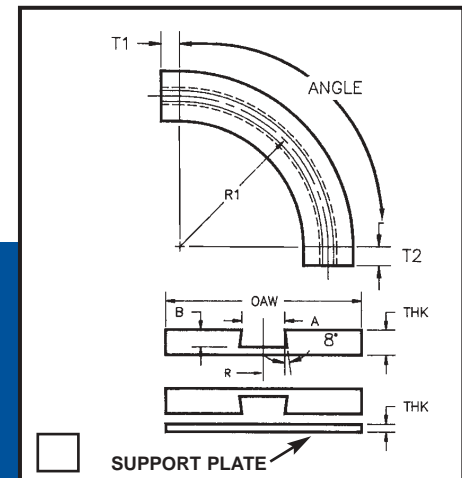
Single Lane Tab Chain Curve



Multiple Lane Tab Chain Curve



Single Lane Bevel Chain Curve



*TSE Corner Tracks come in a variety of materials. Add the suffix below to the Curve Part No. to complete your selection:

- W - Natural UHMW, virgin, basic material selection for curves, FDA compliant #1000
- GL - Gray, lubricated UHMW with enhanced wear properties, FDA compliant #703
- BL - Brown, oil filled UHMW with enhanced wear properties, FDA compliant #845
- SR - Black, static reduced UHMW, FDA compliant #931
- BR - Black, reprocessed UHMW, TSE special formula, R90
- HT - Hi-Temp UHMW, white, FDA compliant, #925
- GF - Green, glass filled UHMW for special applications #675
- MD - Black, moly filled Nylon for maximum speeds and loads

Check One